

RHINO
FROM **TOWMATE**

DIGGER PLANT TRAILER





INNOVATION. PRECISION. STRENGTH

Built From The Ground Up. The Rhino TXDP Digger Plant Trailer.

Built from the ground up, the Rhino Plant Trailer embraces the harsh environments associated with construction work. The tough galvanised steel chassis and modular design embodies the durability and strength that you've come to expect from Towmate Trailers.

We've included ground-breaking innovations, such as our pivot axle system; which prevents wheel and axle damage and ensures that your axles are never overloaded.

We've also engineered a unique digger security system called LoadSentry. This innovation ensures quick and efficient loading and security of your digger, and paired with our double angle ramp, takes loading your trailer to another level.

Built Rugged. Built For You.

Available in two different weight capacities, with scope to customise with the features available, there is a Rhino Plant Trailer to suit every requirement.

RHINO PLANT TRAILER

THE STANDARD RANGE.

Our Standard Range of the Rhino Plant Trailer is designed at its heart, to provide a pleasant towing experience. Its features ensure that the Rhino is always competent in every situation.

▶ 40MM COUPLING EYE

40mm eye as standard. Option to change to a 50mm ball coupling with high security lock at no extra cost.

▼ HEAVY DUTY RUNNING GEAR

The Rhino features a 5-stud configuration with a heavy duty SFL bearing for durability and easy of maintenance.



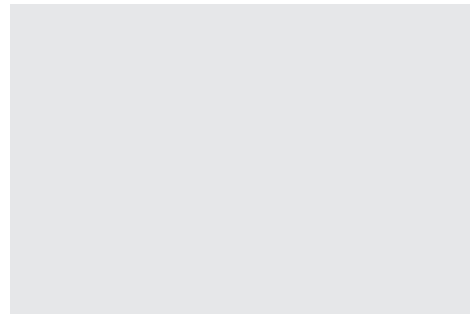
▶ BULB LIGHTING

Bulb lights are included on the standard range. You also have the option to upgrade to LED lighting.



▶ HEAVY DUTY MUDGUARDS

Bespoke welded steel construction offers a load bearing surface and enhanced durability.

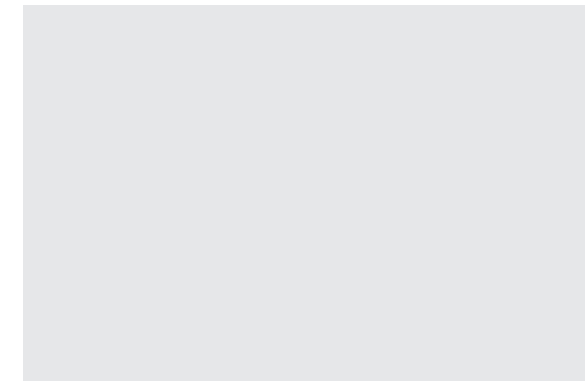


▶ INTEGRATED SIDE STEPS

Made of heavy duty steel. Features bespoke high grip protrusions for safe access to the trailer. The high grip durable steel surface also reduces slip hazards.

▲ FULLY TYPE APPROVED

The full range of our Rhino Plant trailers are fully type approved with VCA accreditation.

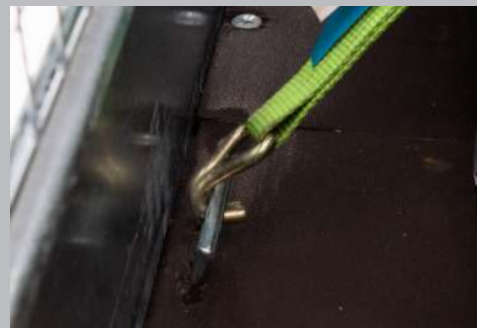


▶ **1400MM RAMPS**

The individual ramps are 1400mm long and manufactured from high grade galvanised steel. Available in individual or full-width. Individual ramps can move to suit the track width of different machinery.



▼ High grip protrusions in the ramp ensure better grip when loading.



◀ **2.5T RATED LASHING POINTS**

8 lashing points, rated at 2.5t each provide multiple tie down points. Engineered so they tuck out of the way when not in use, these hooks provide a clear deck which is easy to clean.



▲ **SAFE ACCESS POINTS**

Integrated side steps and load bearing mudguards allow safe access to the trailer load and ensures that three points of contact are maintained at all times.



◀ **THREADED RAMP FASTENER**

Offers better holding than ACME thread with additional locking pin and rubber buffer for a safe and quiet ride.

▶ **EXTENDED DRAWBAR**

Ensures sufficient clearance so the digger boom never makes contact with the towing vehicle. Complete with universal bucket rest.





Model shown is the Rhino
Standard TDP2813-27.

RHINO PLANT TRAILER

THE PRO RANGE.

The Rhino Pro Range includes everything in the Standard range plus a few premium upgrades and additional extras that you can add depending on your requirements. From our LoadSentry system to our Pivot Axle system, we've got you covered.

► **LOADSENTRY®. OUR STRAPLESS DIGGER SYSTEM**

LoadSentry enables fast and secure loading of diggers without the need of ratchet straps. This unique system also means you drive the digger onto the trailer in a forward direction. Operates as a simple load and go system.

It is a completely modular design and all the features are interchangeable. Each component can be added or removed separately to suit any requirements.

▼ **SECURE BUCKET LOCKER & BREAKER STORAGE**

A secure storage system for both buckets and breaker. The breaker store lies horizontal across the a-frame, with easy access from curbside for added safety. Ensures that additional buckets being carried can be secured to avoid theft. It is also removable to provide additional space in the front of the trailer.



3-YEAR WARRANTY

Our Pro range of the Rhino Trailers comes with a 3-year warranty.



► **DIGGER ARM LOCK**

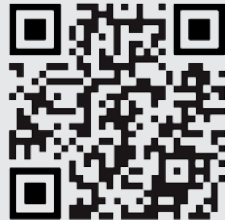
Secures the boom of the digger to prevent sideways movement during transport.





▶ **PIVOT AXLE SYSTEM**

This unique optional pivot axle system ensures that all four wheels always maintain contact with the surface of the road, avoiding circumstances which could cause the front or rear axles to become overloaded. It ensures a smooth and pleasant towing experience no matter what the terrain you are crossing. Scan the QR code to watch this incredible system in action!



◀ **THREE RAMP OPTIONS**

Three different ramp options; full width, individual and double angle. Choose between 1400mm and 1700mm lengths.



▶ **DOUBLE ANGLE RAMP**

The double angle ramp is a unique innovation which provides a smooth loading experience. The design softens the loading angle and removes the lurch when loading machinery.

▶ **GAS-ASSISTED RAMP**

The unique horizontal positioning of the gas struts ensures that they are safely out of harms way. The gas-assisted ramp means that lifting and lowering a full width ramp is now truly a one man operation.



◀ **WHEELSENTRY®**

Our unique WheelSentry 2-in-1 wheel nut indicator and retainer system. Recommended to ensure reduced risk of wheel loss.

▶ **LED DUAL VOLTAGE LIGHTING**

LoadSentry enables fast and secure loading of diggers without the need of ratchet straps. This unique system also means you drive the digger onto the trailer in a forward direction

RHINO
FROM TOWMATE

Model shown is the Rhino Standard.

DIMENSIONS

THE STANDARD RANGE.

- (A) Internal Width (mm)
- (B) Internal Length (mm)
- (C) Overall Width (mm)
- (D) Overall Length (mm)
- (E) Side Height (mm)
- (F) Loading Height (mm)

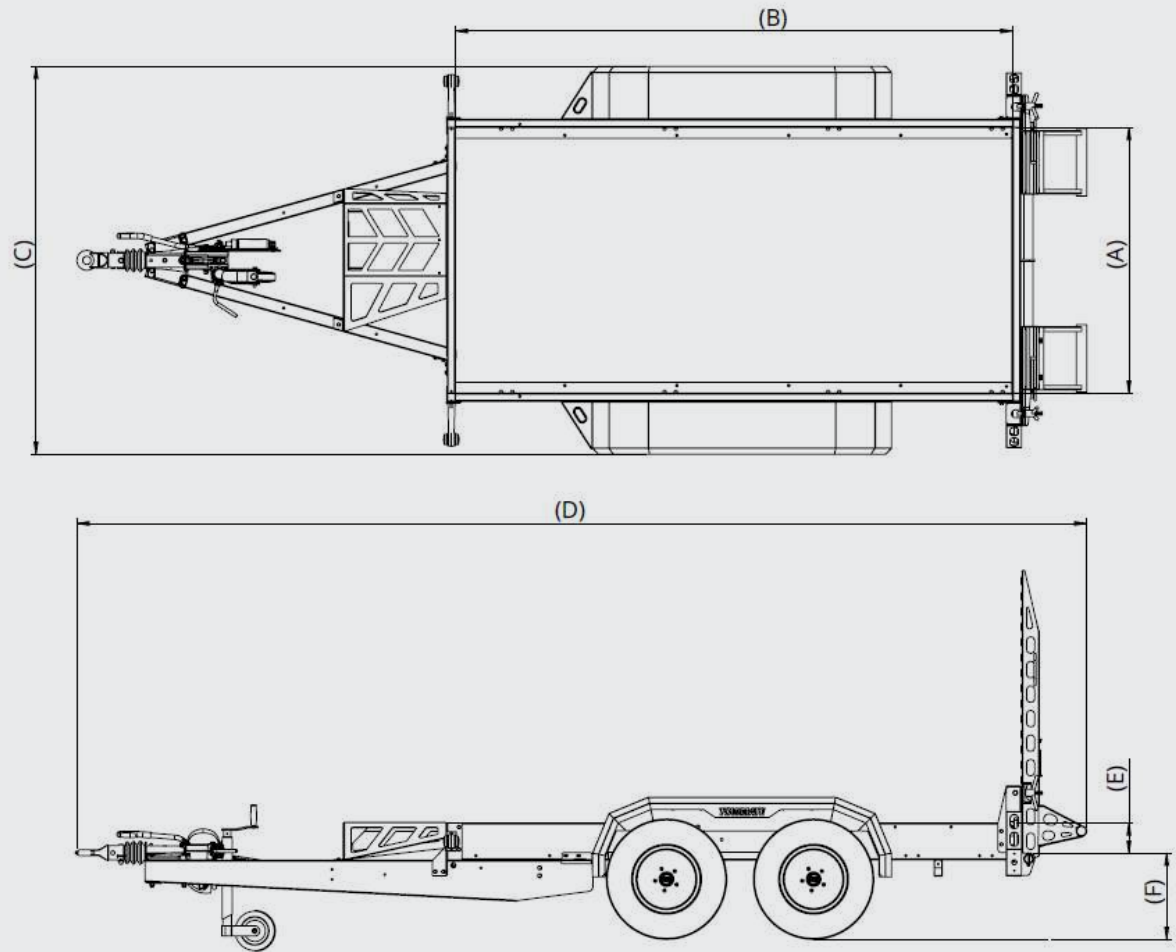


Diagram shows Rhino Standard Range

TECHNICAL SPECIFICATION

THE STANDARD RANGE.

	TXDP2813-27	TXDP2813-30	TXDP2813-35	TXDP3117-35
CAPACITY				
Gross (KG)	2700	3000	3500	3500
Payload KG (standard spec)	2159	2443	2910	2819
Unladen Weight KG (standard spec)	541	557	590	681
DIMENSIONS				
(A) Internal Width (mm)	1300	1300	1300	1800
(B) Internal Length (mm)	2800	2800	2800	2100
(C) Overall Width (mm)	1900	1900	1900	2300
(D) Overall Length (mm)	4945	4945	4945	5205
(E) Side Height (mm)	145	145	145	145
(F) Loading Height (mm)	380	380	380	380
RUNNING GEAR				
Axles	2	2	2	2
165 R13 8 Ply Wheel & Tyre Assembly	●	-	-	-
185/70 R13 Wheel & Tyre Assembly	-	●	●	●
Spare Wheel & Carrier	○	○	○	○
2.5T Recessed Lashing Rings (2 pairs)	●	●	●	●
Cast Steel Coupling Head	No Cost Option	No Cost Option	No Cost Option	No Cost Option
40mm Eye Coupling	●	●	●	●
WheelSentry®	○	○	○	○
LED Lights	○	○	○	○

● Standard Equipment ○ Optional Equipment — Not available * Coming Soon

TECHNICAL SPECIFICATION

	TXDP2813-27	TXDP2813-30	TXDP2813-35	TXDP3117-35
BED & REAR LOADING				
Plywood Flooring	●	●	●	●
1400mm Individual Ramps - Pair	●	●	●	●
1400mm Full-Width Ramp	○	○	○	○
Gas-assisted Ramps (for full-width ramps)	Standard on full-width ramps	Standard on full-width ramps	Standard on full-width ramps	Standard on full-width ramps

● Standard Equipment ○ Optional Equipment — Not available * Coming Soon



Model shown is the Rhino Pro TXDP2813-27 with pivot axle system, LoadSentry® 1700mm double angle ramp, upgraded wheel & tyres and jockey wheel and WheelSentry®

DIMENSIONS

THE PRO RANGE.

- (A) Internal Width (mm)
- (B) Internal Length (mm)
- (C) Overall Width (mm)
- (D) Overall Length (mm)
- (E) Side Height (mm)
- (F) Loading Height (mm)

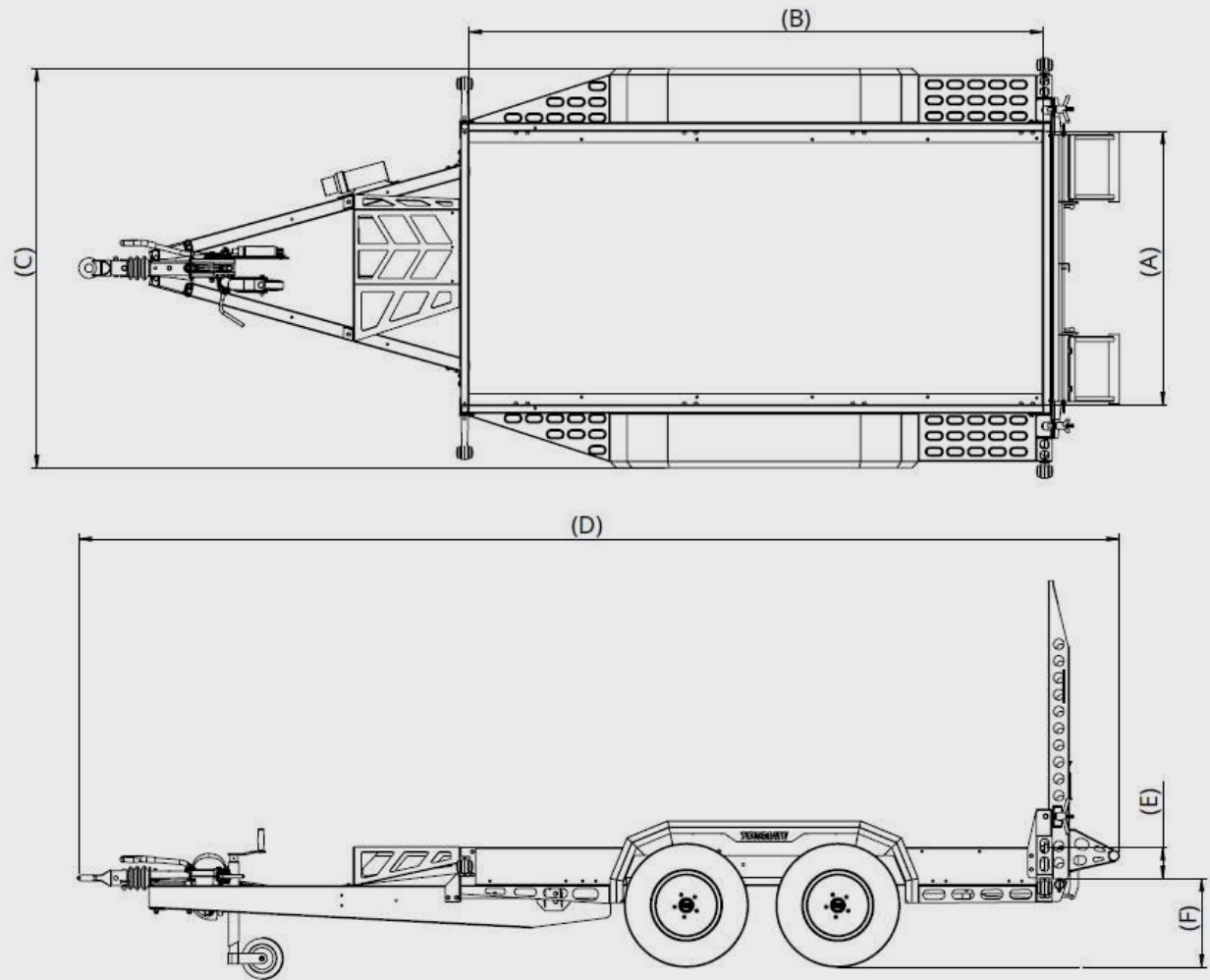


Diagram shows Rhino Pro Range

TECHNICAL SPECIFICATION

THE PRO RANGE.

	TXDP2813-27	TXDP2813-30	TXDP2813-35	TXDP3117-35
CAPACITY				
Gross (KG)	2700	3000	3500	3500
Payload KG (standard spec)	2146	2430	2897	2803
Unladen Weight KG (standard spec)	554	570	603	697
DIMENSIONS				
(A) Internal Width (mm)	1300	1300	1300	1700
(B) Internal Length (mm)	2800	2800	2800	3100
(C) Overall Width (mm)	1900	1900	1900	2300
(D) Overall Length (mm)	4945	4945	4945	5205
(E) Side Height (mm)	145	145	145	145
(F) Loading Height (mm)	380	380	380	380
RUNNING GEAR				
Axles	2	2	2	2
Pivot Axle System	○	○	○	○
165 R13 8 Ply Wheel & Tyre Assembly	●	-	-	-
185/70 R13 Wheel & Tyre Assembly	-	●	●	●
Spare Wheel & Carrier	○	○	○	○
2.5T Recessed Lashing Rings (2 pairs)	●	●	●	●
Cast Steel Coupling Head	No Cost Option	No Cost Option	No Cost Option	No Cost Option
40mm Eye Coupling	●	●	●	●
WheelSentry®	○	○	○	○

● Standard Equipment ○ Optional Equipment — Not available * Coming Soon

TECHNICAL SPECIFICATION

	TXDP2813-27	TXDP2813-30	TXDP2813-35	TXDP3117-35
BED & REAR LOADING				
Plywood Flooring	●	●	●	●
Steel Grip Deck	○	○	○	○
Steel Grip Deck with GRP Mini Mesh Infill	○	○	○	○
Steel Grip Deck with Plywood Infill	○	○	○	○
1400mm Individual Ramps - Pair	●	●	●	●
1400mm Full-Width Ramp	○	○	○	○
1700mm Individual Ramps - Pair	○	○	○	○
1700mm Full-Width Ramp	○	○	○	○
1700mm Individual Double Angle Ramps - Pair	○	○	○	○
1700mm Full-Width Double Angle Ramp	○	○	○	○
Gas-assisted Ramps (for full-width ramps)	Standard on full-width ramps	Standard on full-width ramps	Standard on full-width ramps	Standard on full-width ramps
Deck Lights	*	*	*	*
ADDITIONAL OPTIONS				
Digger Arm Lock	○	○	○	○
LoadSentry®	○	○	○	○
Breaker Store & Bucket Rest	○	○	○	○
Standard Bucket Locker	○	○	○	○
Breaker Store & Bucket Rest Locker	○	○	○	○

● Standard Equipment ○ Optional Equipment — Not available * Coming Soon



Model shown is the Rhino Pro TXDP2813-27 with pivot axle system, LoadSentry® 1700mm double angle ramp, upgraded wheel & tyres and jockey wheel and WheelSentry®

PRO SUPPORT

OUR AFTERSALES PACKAGE.

PROFUND

PROCOVER



SERVICELINE

TOWMATE TRAILERS

HEAD OFFICE:

Towmate Trailers Ltd, Whitehall Road,
Colchester, Essex, CO2 8WA

T: 01206 589550

sales@towmatetrailers.com

www.towmatetrailers.com

